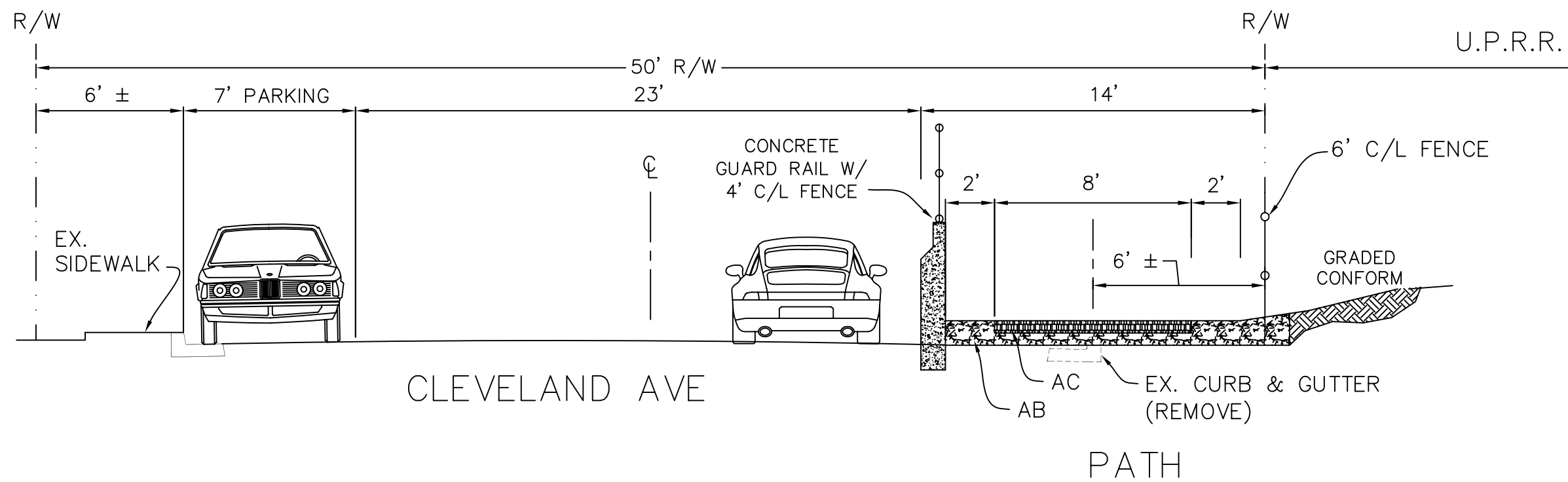
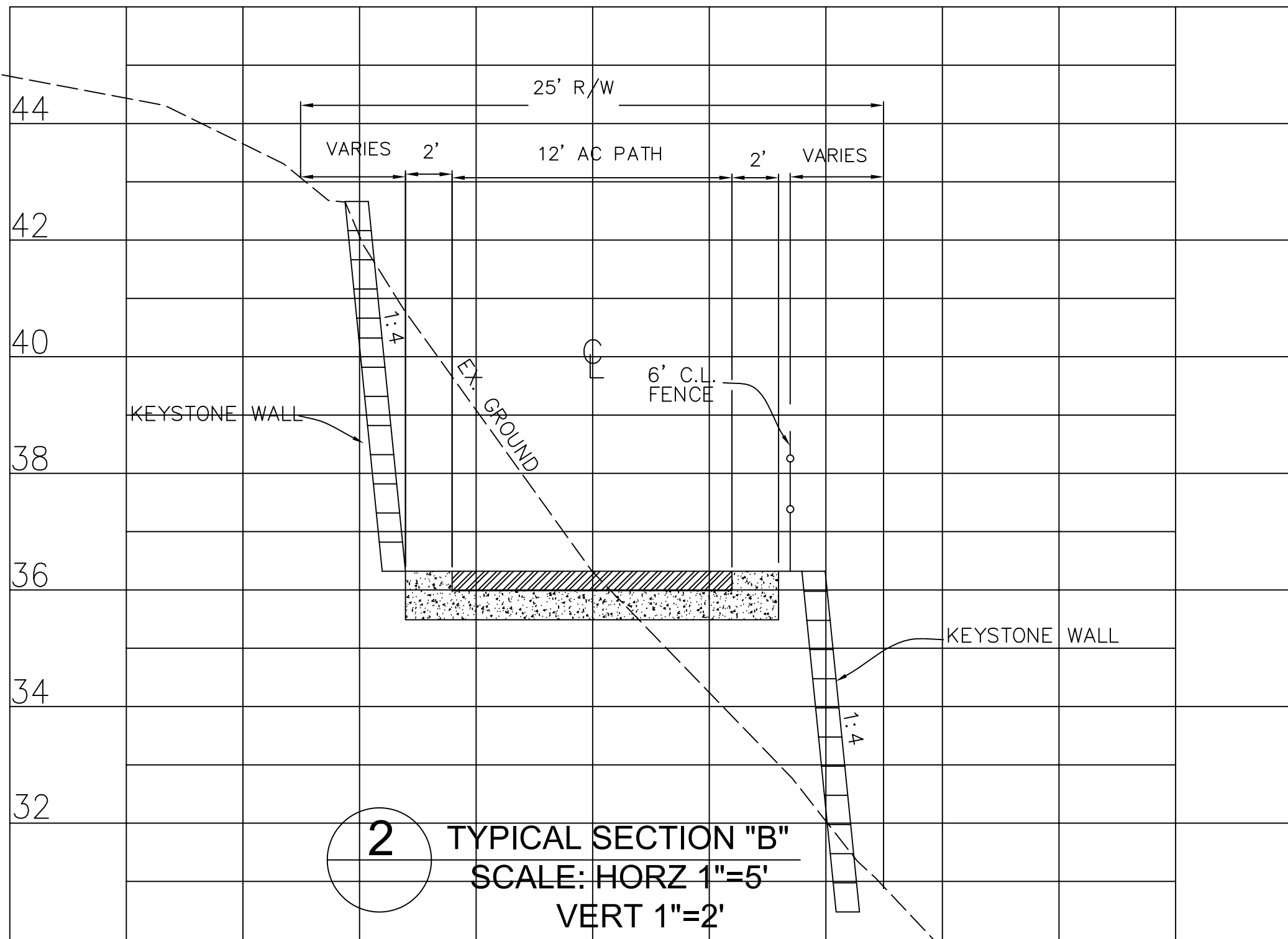


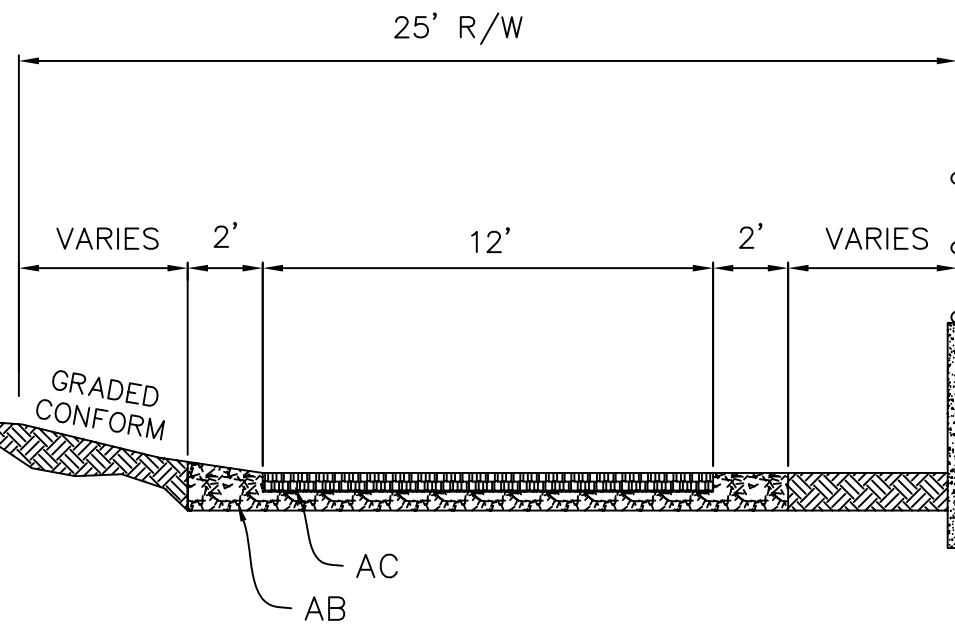
PIERCE ST PATH
PHASE II



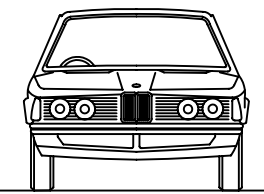
1 TYPICAL SECTION "C"
SCALE: 1"=5'



PIERCE ST



CONCRETE
GUARD RAIL W/
4' C/L FENCE



EB 80 ON RAMP

3 TYPICAL SECTION "A"
SCALE: 1"=5'