

FUTURE CITIES LAB
NATALY GATTEGNO + JASON KELLY JOHNSON

2325 3rd Street, Suite 229
San Francisco, CA 94107
tel: (415) 255-4879
www.future-cities-lab.net

PROPOSED ALBANY PUBLIC ARTWORK SKETCHES

GENERAL NOTES

1. FOR PRELIMINARY CONCEPT VISUALIZATION
AND PRICING PURPOSES ONLY

CLIENT

OPPIDAN
400 Water Street, Suite 200
Excelsior, MN 55331
Contact: Kelly Allman
Email: Kelly@oppidan.com
Phone: (952) 294-0151

LEAD ARTIST

FUTURE CITIES LAB
2325 3rd Street, Suite 229
San Francisco, CA 94107
Contact: Jason K Johnson
Email: info@future-cities-lab.net
Phone: (415) 255-4879



CONSULTING ARCHITECT

LOWNEY ARCHITECTURE
360 17th Street, Suite 100
Oakland, CA 94612
Contact: Winston Win
Email: Winston@lowneyarch.com
Phone: (510) 836-5400

CONSULTING LANDSCAPE ARCHITECT

TS Studio
978 Hayes Street
San Francisco, CA 94117
Contact: J. Lee Stickle
Email: jestickle@tsstudio.org
Phone: (415) 420-8408

CONSULTING CIVIL ENGINEER

BKF ENGINEERS
4670 Willow Road, Suite 250
Pleasanton, CA 94588-3323
Phone: (925) 396-7700

FABRICATOR

MACHINC
2325 3rd Street
San Francisco, CA 94107
Phone: (415) 255-4879

**DRAFT COPY
FOR REVIEW**

**NOT FOR
DISTRIBUTION**

PROJECT NAME

PROPOSED ALBANY PUBLIC ARTWORK SKETCHES
San Pablo Ave. & Monroe St.
Albany, CA 94706

SHEET TITLE

COVER SHEET

DRAWING SCALE

As noted on drawings

DATE ISSUED:

02 DEC 2015

001



01 PERSPECTIVE LOOKING WEST
Scale: NA

GENERAL NOTES

1. FOR PRELIMINARY CONCEPT VISUALIZATION AND PRICING PURPOSES ONLY

CLIENT

OPPIDAN
400 Water Street, Suite 200
Excelsior, MN 55331
Contact: Kelly Allman
Email: Kelly@oppidan.com
Phone: (952) 294-0151

LEAD ARTIST

FUTURE CITIES LAB
2325 3rd Street, Suite 229
San Francisco, CA 94107
Contact: Jason K Johnson
Email: info@future-cities-lab.net
Phone: (415) 255-4879



CONSULTING ARCHITECT

LOWNEY ARCHITECTURE
360 17th Street, Suite 100
Oakland, CA 94612
Contact: Winston Win
Email: Winston@lowneyarch.com
Phone: (510) 836-5400

CONSULTING LANDSCAPE ARCHITECT

TS Studio
978 Hayes Street
San Francisco, CA 94117
Contact: J. Lee Stickle
Email: jstickles@tsstudio.org
Phone: (415) 420-8408

CONSULTING CIVIL ENGINEER

BKF ENGINEERS
4670 Willow Road, Suite 250
Pleasanton, CA 94588-3323
Phone: (925) 396-7700

FABRICATOR

MACHINC
2325 3rd Street
San Francisco, CA 94107
Phone: (415) 255-4879

**DRAFT COPY
FOR REVIEW**

**NOT FOR
DISTRIBUTION**

PROJECT NAME

PROPOSED ALBANY PUBLIC ARTWORK SKETCHES
San Pablo Ave. & Monroe St.
Albany, CA 94706

SHEET TITLE

PERSPECTIVE LOOKING WEST

DRAWING SCALE

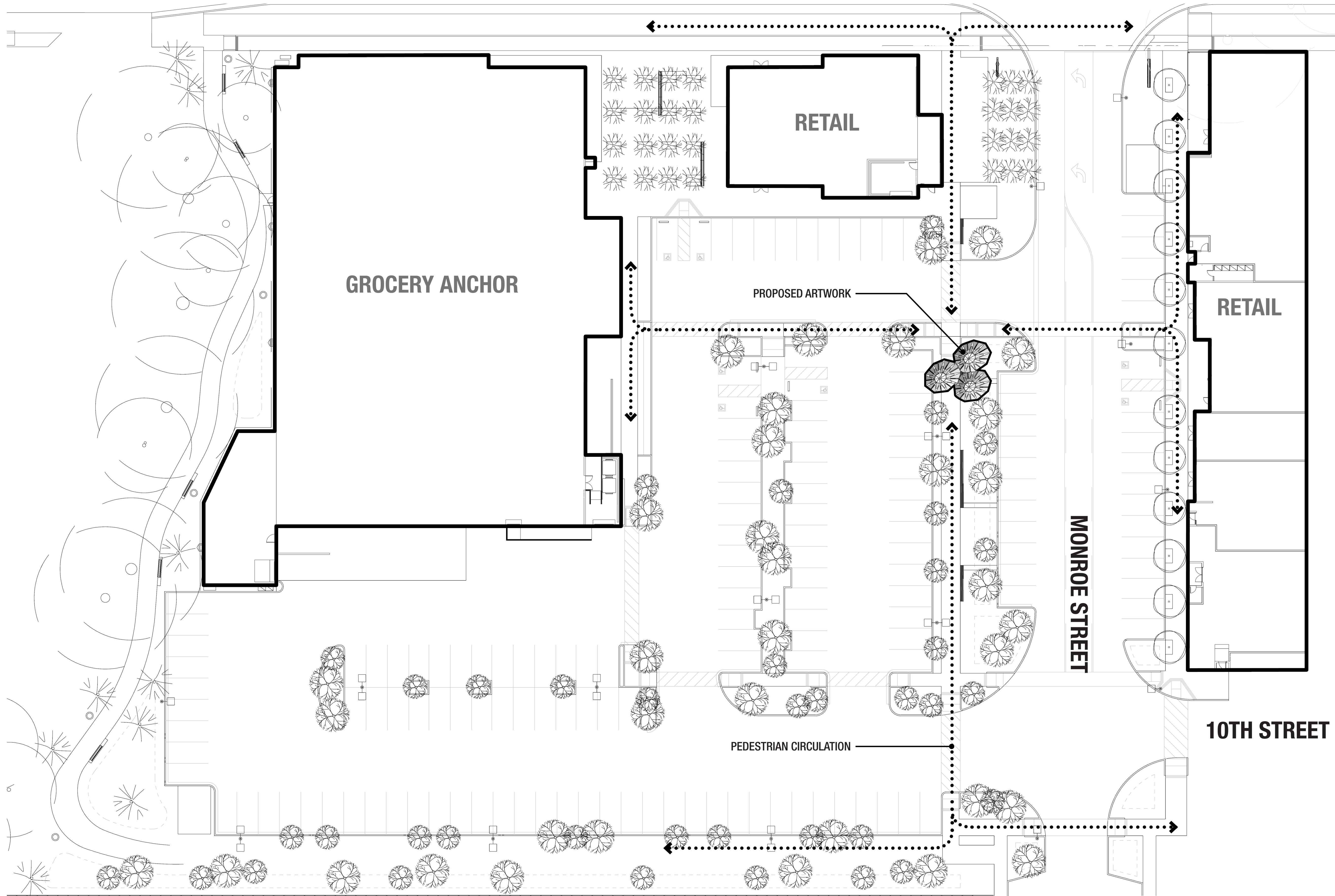
As noted on drawings

DATE ISSUED:

02 DEC 2015

002

SAN PABLO AVENUE



GENERAL NOTES

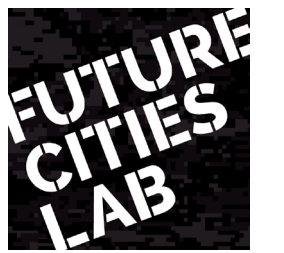
1. FOR PRELIMINARY CONCEPT VISUALIZATION AND PRICING PURPOSES ONLY

CLIENT

OPPIDAN
400 Water Street, Suite 200
Excelsior, MN 55331
Contact: Kelly Allman
Email: Kelly@oppidan.com
Phone: (952) 294-0151

LEAD ARTIST

FUTURE CITIES LAB
2325 3rd Street, Suite 229
San Francisco, CA 94107
Contact: Jason K Johnson
Email: info@future-cities-lab.net
Phone: (415) 255-4879



CONSULTING ARCHITECT

LOWNEY ARCHITECTURE
360 17th Street, Suite 100
Oakland, CA 94612
Contact: Winston Win
Email: Winston@lowneyarch.com
Phone: (510) 836-5400

CONSULTING LANDSCAPE ARCHITECT

TS Studio
978 Hayes Street
San Francisco, CA 94117
Contact: J. Lee Stickle
Email: jstickle@tsstudio.org
Phone: (415) 420-8408

CONSULTING CIVIL ENGINEER

BKF ENGINEERS
4670 Willow Road, Suite 250
Pleasanton, CA 94588-3323
Phone: (925) 396-7700

FABRICATOR

MACHINC
2325 3rd Street
San Francisco, CA 94107
Phone: (415) 255-4879

**DRAFT COPY
FOR REVIEW**

**NOT FOR
DISTRIBUTION**

PROJECT NAME

PROPOSED ALBANY PUBLIC ARTWORK SKETCHES
San Pablo Ave. & Monroe St.
Albany, CA 94706

SHEET TITLE

SITE PLAN

DRAWING SCALE

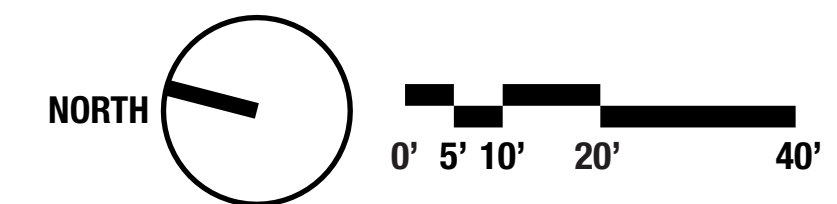
As noted on drawings

DATE ISSUED:

02 DEC 2015

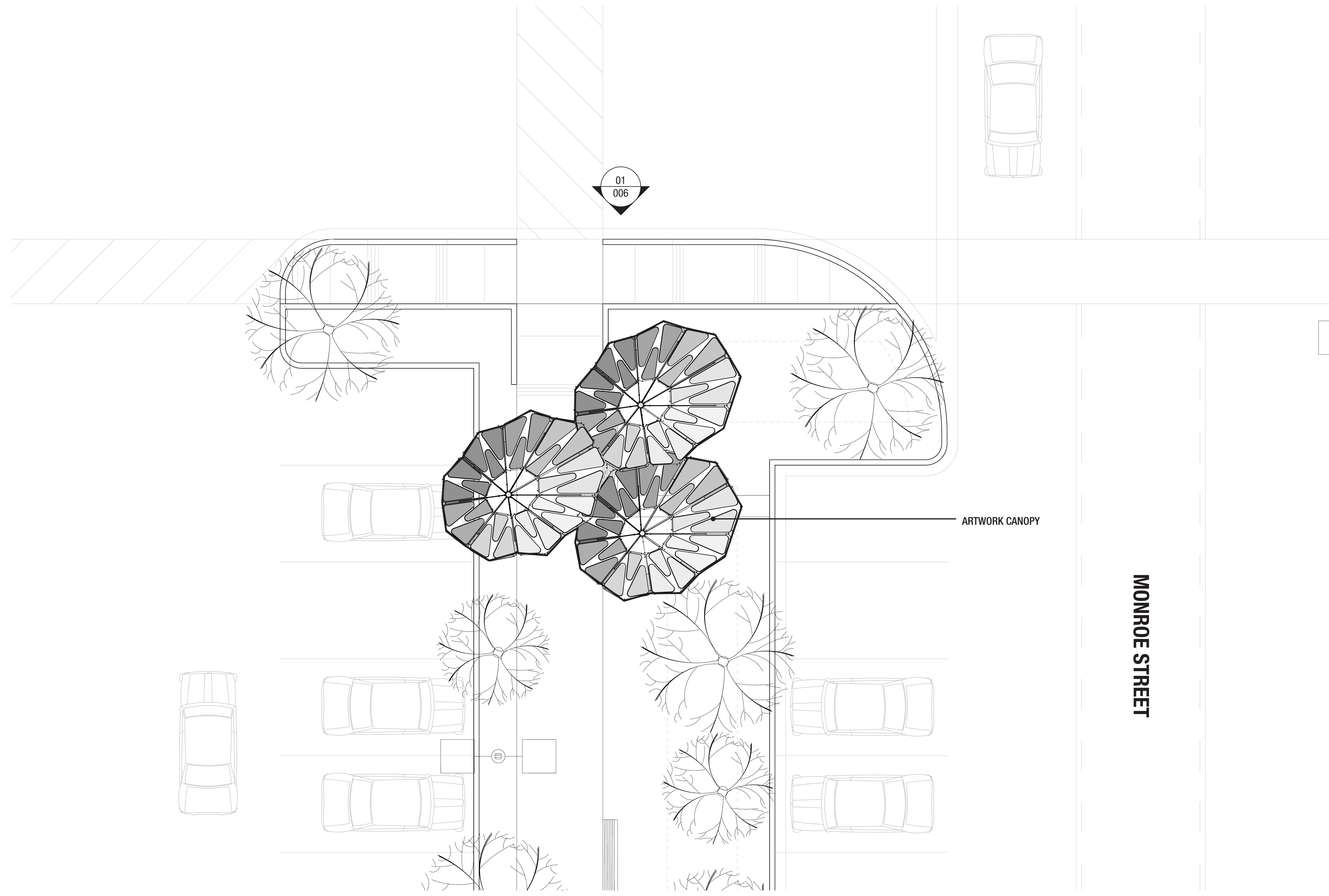
003

01 SITE PLAN
Scale: See Graphic Scale



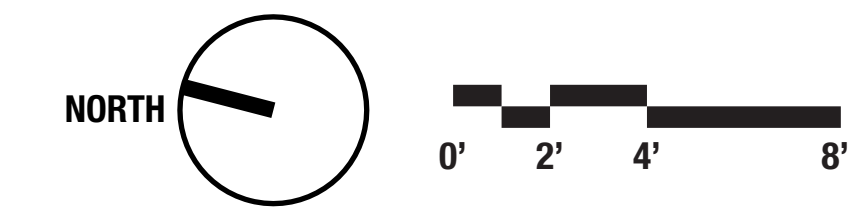
File: Albany_PreliminaryDesign_by-FutureCitiesLab_24X36_151214_CC.pdf Version: 12/02/15

01 ROOF PLAN
Scale: See Graphic Scale



ARTWORK CANOPY

MONROE STREET



GENERAL NOTES

1. FOR PRELIMINARY CONCEPT VISUALIZATION AND PRICING PURPOSES ONLY

CLIENT

OPPIDAN
400 Water Street, Suite 200
Excelsior, MN 55331
Contact: Kelly Allman
Email: Kelly@oppidan.com
Phone: (952) 294-0151

LEAD ARTIST

FUTURE CITIES LAB
2325 3rd Street, Suite 229
San Francisco, CA 94107
Contact: Jason K Johnson
Email: info@future-cities-lab.net
Phone: (415) 255-4879



CONSULTING ARCHITECT

LOWNEY ARCHITECTURE
360 17th Street, Suite 100
Oakland, CA 94612
Contact: Winston Win
Email: Winston@lowneyarch.com
Phone: (510) 836-5400

CONSULTING LANDSCAPE ARCHITECT

TS Studio
978 Hayes Street
San Francisco, CA 94117
Contact: J. Lee Stickle
Email: jstickles@tsstudio.org
Phone: (415) 420-8408

CONSULTING CIVIL ENGINEER

BKF ENGINEERS
4670 Willow Road, Suite 250
Pleasanton, CA 94588-3323
Phone: (925) 396-7700

FABRICATOR

MACHINC
2325 3rd Street
San Francisco, CA 94107
Phone: (415) 255-4879

**DRAFT COPY
FOR REVIEW**

**NOT FOR
DISTRIBUTION**

PROJECT NAME

PROPOSED ALBANY PUBLIC ARTWORK SKETCHES
San Pablo Ave. & Monroe St.
Albany, CA 94706

SHEET TITLE
ROOF PLAN

DRAWING SCALE
As noted on drawings

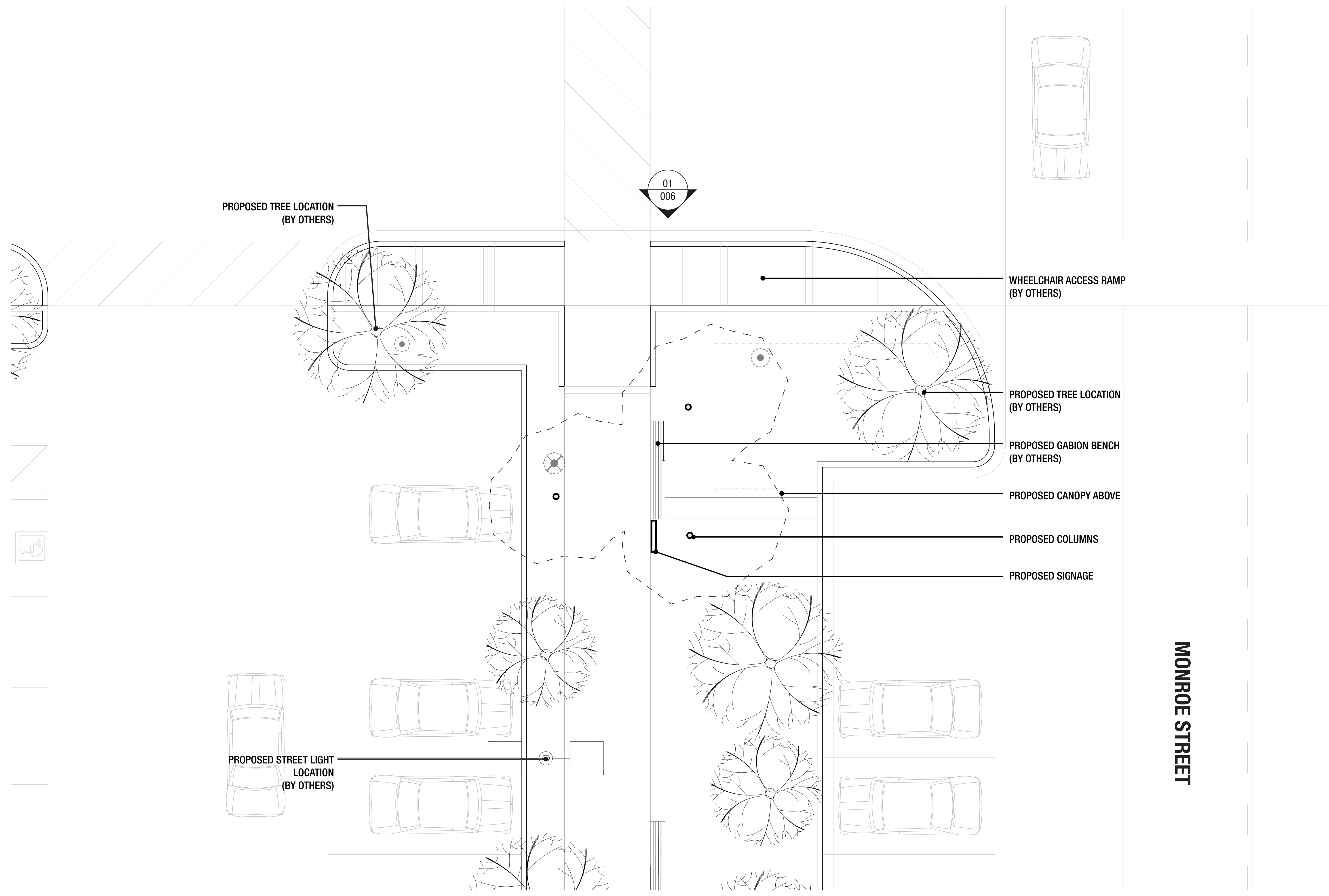
DATE ISSUED:
02 DEC 2015

004

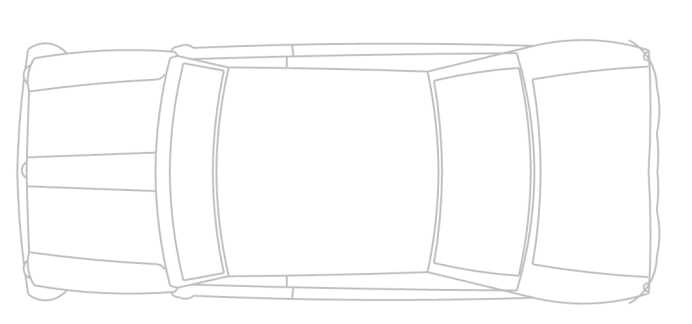
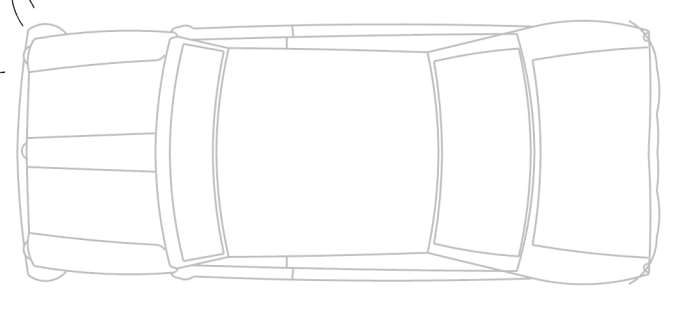
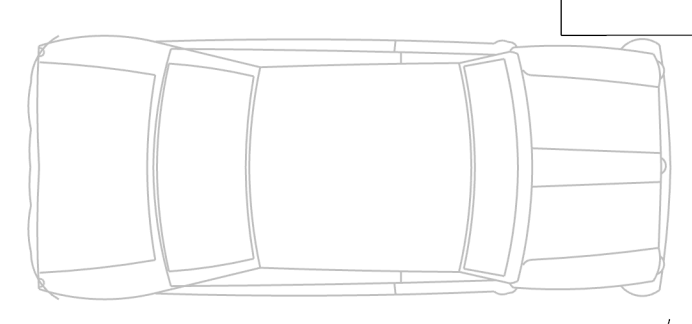
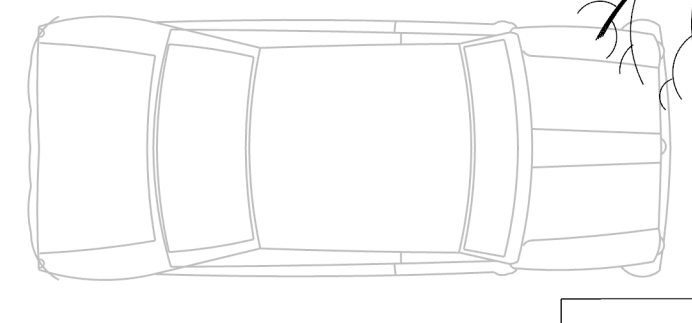
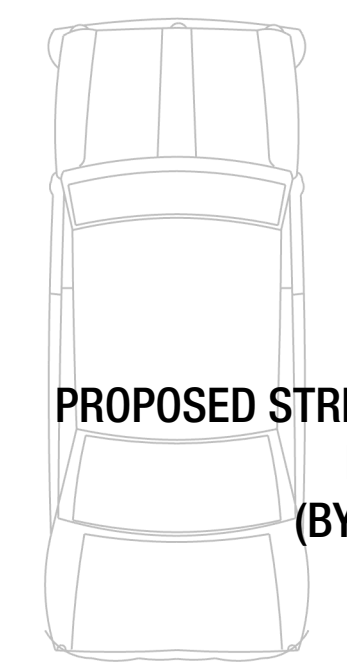
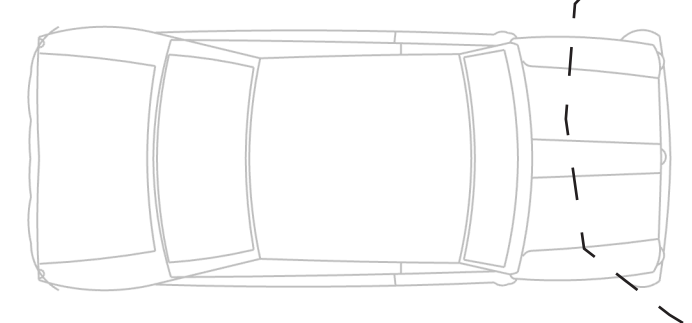
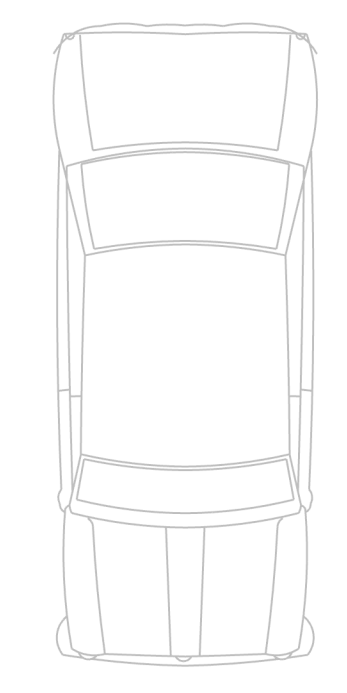
File: Albany_PreliminaryDesign_by-FutureCitiesLab_24X36_151214_CC.pdf Version: 12/02/15

01 GROUND PLAN

Scale: See Graphic Scale



01
006



WHEELCHAIR ACCESS RAMP
(BY OTHERS)

PROPOSED TREE LOCATION
(BY OTHERS)

PROPOSED GABION BENCH
(BY OTHERS)

PROPOSED CANOPY ABOVE

PROPOSED COLUMNS

PROPOSED SIGNAGE

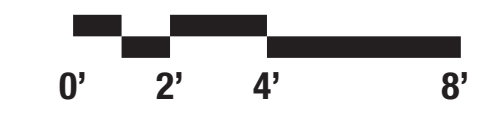
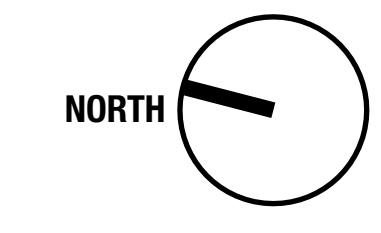
PROPOSED TREE LOCATION
(BY OTHERS)

PROPOSED STREET LIGHT
LOCATION
(BY OTHERS)

MONROE STREET

LEGEND

- TREE LOCATION AS DRAWN BY LANDSCAPE ARCHITECT, 10/21/2015
- STREET LIGHT LOCATION AS DRAWN BY LANDSCAPE ARCHITECT, 10/21/2015



GENERAL NOTES

1. FOR PRELIMINARY CONCEPT VISUALIZATION AND PRICING PURPOSES ONLY

CLIENT

OPPIDAN
400 Water Street, Suite 200
Excelsior, MN 55331
Contact: Kelly Allman
Email: Kelly@oppidan.com
Phone: (952) 294-0151

LEAD ARTIST

FUTURE CITIES LAB
2325 3rd Street, Suite 229
San Francisco, CA 94107
Contact: Jason K Johnson
Email: info@future-cities-lab.net
Phone: (415) 255-4879



CONSULTING ARCHITECT

LOWNEY ARCHITECTURE
360 17th Street, Suite 100
Oakland, CA 94612
Contact: Winston Win
Email: Winston@lowneyarch.com
Phone: (510) 836-5400

CONSULTING LANDSCAPE ARCHITECT

TS Studio
978 Hayes Street
San Francisco, CA 94117
Contact: J. Lee Stickles
Email: jstickles@tsstudio.org
Phone: (415) 420-8408

CONSULTING CIVIL ENGINEER

BKF ENGINEERS
4670 Willow Road, Suite 250
Pleasanton, CA 94588-3323
Phone: (925) 396-7700

FABRICATOR

MACHINC
2325 3rd Street
San Francisco, CA 94107
Phone: (415) 255-4879

**DRAFT COPY
FOR REVIEW**

**NOT FOR
DISTRIBUTION**

PROJECT NAME

PROPOSED ALBANY PUBLIC ARTWORK SKETCHES
San Pablo Ave. & Monroe St.
Albany, CA 94706

SHEET TITLE

GROUND PLAN

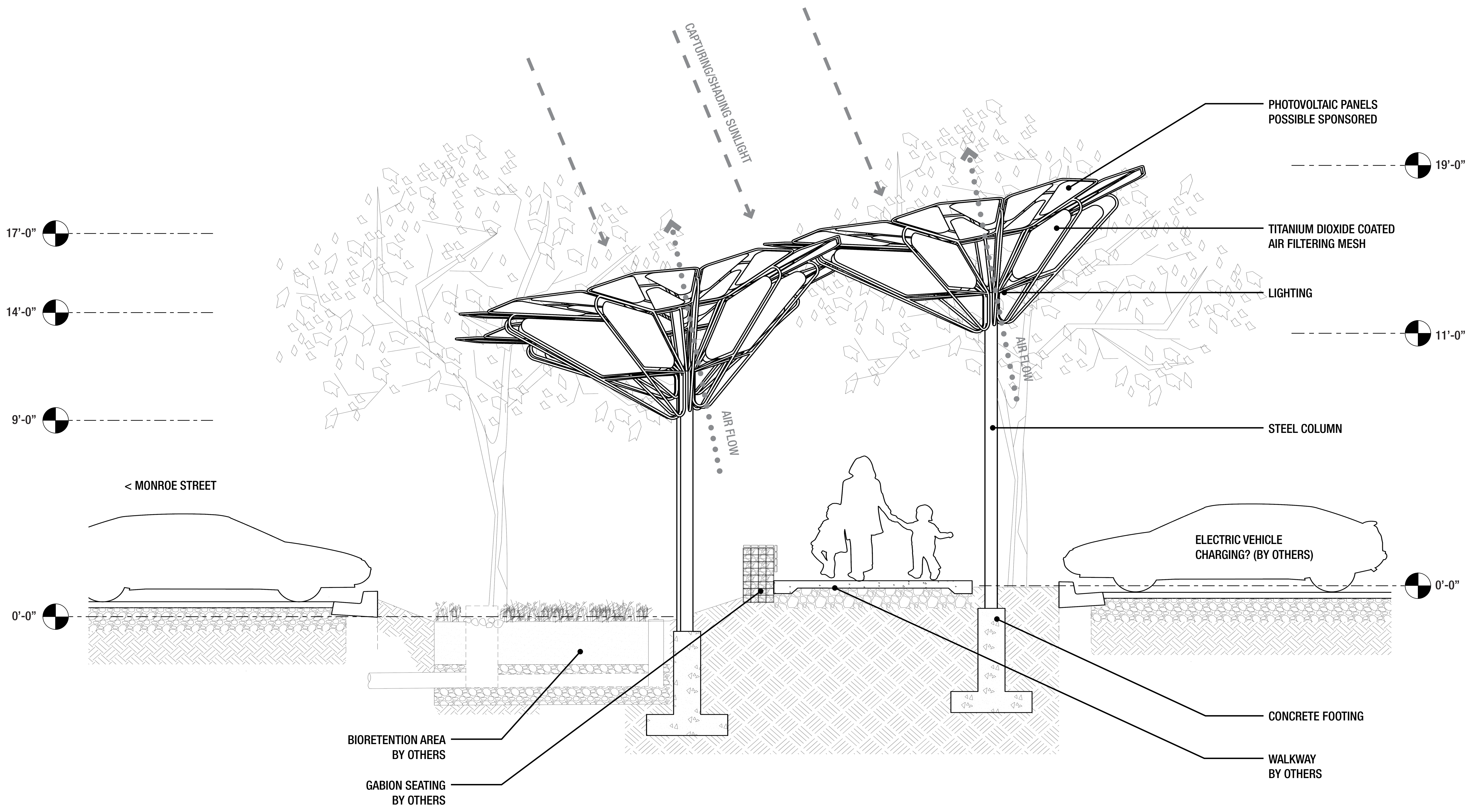
DRAWING SCALE

As noted on drawings

DATE ISSUED:
02 DEC 2015

005

File: Albany_PreliminaryDesign_by-FutureCitiesLab_24X36_151214_CC.pdf Version: 12/02/15



01 SECTION LOOKING WEST
Scale: See Graphic Scale



GENERAL NOTES

1. FOR PRELIMINARY CONCEPT VISUALIZATION AND PRICING PURPOSES ONLY

CLIENT

OPPIDAN
400 Water Street, Suite 200
Excelsior, MN 55331
Contact: Kelly Allman
Email: Kelly@oppidan.com
Phone: (952) 294-0151

LEAD ARTIST

FUTURE CITIES LAB
2325 3rd Street, Suite 229
San Francisco, CA 94107
Contact: Jason K Johnson
Email: info@future-cities-lab.net
Phone: (415) 255-4879



CONSULTING ARCHITECT

LOWNEY ARCHITECTURE
360 17th Street, Suite 100
Oakland, CA 94612
Contact: Winston Win
Email: Winston@lowneyarch.com
Phone: (510) 836-5400

CONSULTING LANDSCAPE ARCHITECT

TS Studio
978 Hayes Street
San Francisco, CA 94117
Contact: J. Lee Stickle
Email: jstickle@tsstudio.org
Phone: (415) 420-8408

CONSULTING CIVIL ENGINEER

BKF ENGINEERS
4670 Willow Road, Suite 250
Pleasanton, CA 94588-3323
Phone: (925) 396-7700

FABRICATOR

MACHINC
2325 3rd Street
San Francisco, CA 94107
Phone: (415) 255-4879

DRAFT COPY FOR REVIEW

NOT FOR DISTRIBUTION

PROJECT NAME

PROPOSED ALBANY PUBLIC ARTWORK SKETCHES
San Pablo Ave. & Monroe St.
Albany, CA 94706

SHEET TITLE

SECTION LOOKING WEST

DRAWING SCALE

As noted on drawings

DATE ISSUED:

02 DEC 2015

006



01 PERSPECTIVE LOOKING TO SAN PABLO AVENUE
Scale: NA

GENERAL NOTES

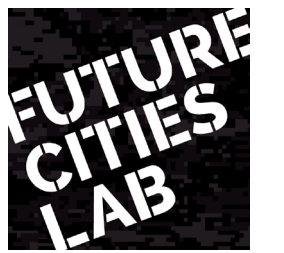
1. FOR PRELIMINARY CONCEPT VISUALIZATION AND PRICING PURPOSES ONLY

CLIENT

OPPIDAN
400 Water Street, Suite 200
Excelsior, MN 55331
Contact: Kelly Allman
Email: Kelly@oppidan.com
Phone: (952) 294-0151

LEAD ARTIST

FUTURE CITIES LAB
2325 3rd Street, Suite 229
San Francisco, CA 94107
Contact: Jason K Johnson
Email: info@future-cities-lab.net
Phone: (415) 255-4879



CONSULTING ARCHITECT

LOWNEY ARCHITECTURE
360 17th Street, Suite 100
Oakland, CA 94612
Contact: Winston Win
Email: Winston@lowneyarch.com
Phone: (510) 836-5400

CONSULTING LANDSCAPE ARCHITECT

TS Studio
978 Hayes Street
San Francisco, CA 94117
Contact: J. Lee Stickle
Email: jstickle@tsstudio.org
Phone: (415) 420-8408

CONSULTING CIVIL ENGINEER

BKF ENGINEERS
4670 Willow Road, Suite 250
Pleasanton, CA 94588-3323
Phone: (925) 396-7700

FABRICATOR

MACHINC
2325 3rd Street
San Francisco, CA 94107
Phone: (415) 255-4879

**DRAFT COPY
FOR REVIEW**

**NOT FOR
DISTRIBUTION**

PROJECT NAME

PROPOSED ALBANY PUBLIC ARTWORK SKETCHES
San Pablo Ave. & Monroe St.
Albany, CA 94706

SHEET TITLE

PERSPECTIVE LOOKING TO
SAN PABLO AVENUE

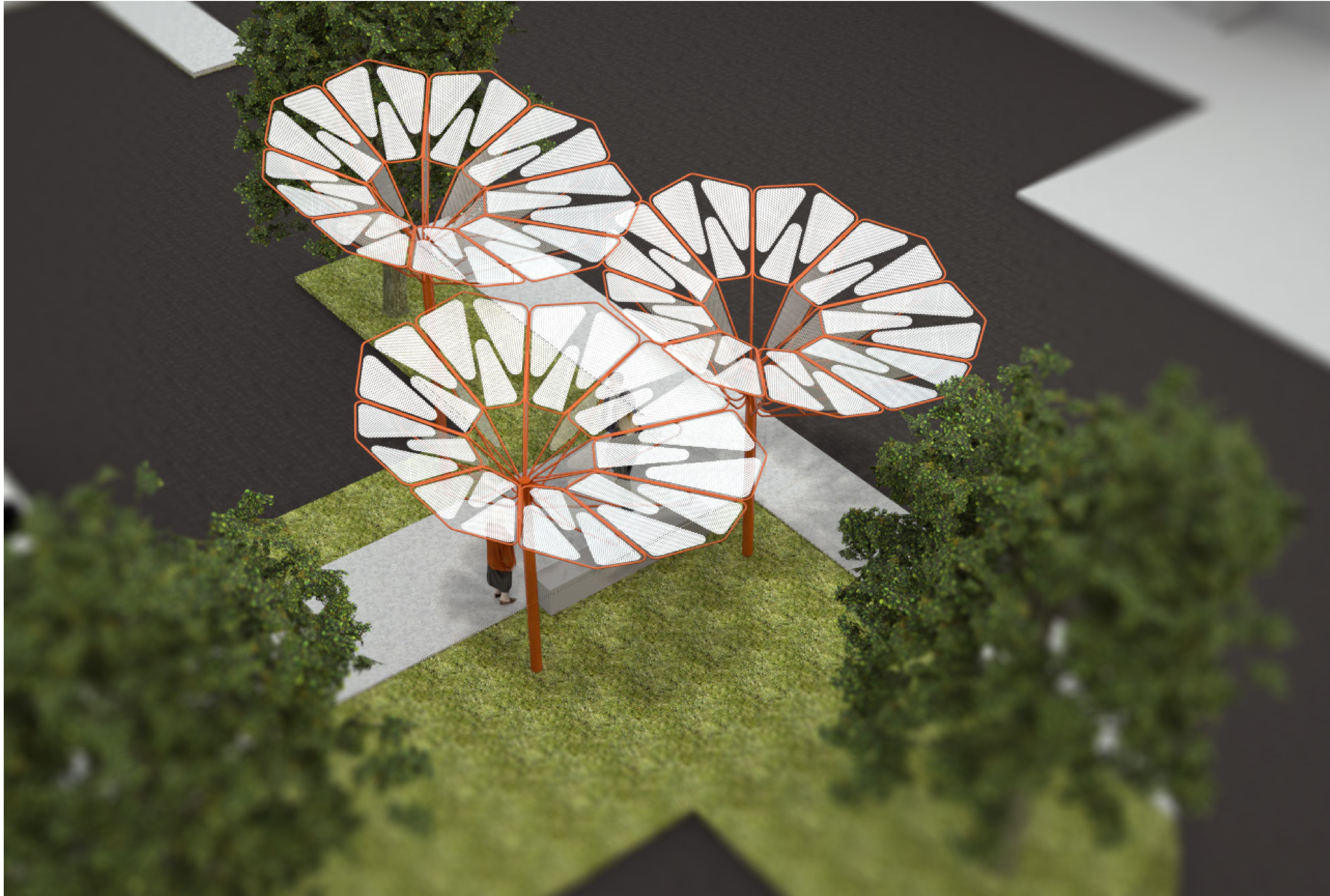
DRAWING SCALE

As noted on drawings

DATE ISSUED:

02 DEC 2015

007



01 BIRD'S EYE PERSPECTIVE
Scale: NA

File: Albany_PreliminaryDesign_by-FutureCitiesLab_24x36_151214_CC.pdf Version: 12/02/15

GENERAL NOTES

1. FOR PRELIMINARY CONCEPT VISUALIZATION AND PRICING PURPOSES ONLY

CLIENT

OPPIDAN
400 Water Street, Suite 200
Excelsior, MN 55331
Contact: Kelly Allman
Email: Kelly@oppidan.com
Phone: (952) 294-0151

LEAD ARTIST

FUTURE CITIES LAB
2325 3rd Street, Suite 229
San Francisco, CA 94107
Contact: Jason K Johnson
Email: info@future-cities-lab.net
Phone: (415) 255-4879



CONSULTING ARCHITECT

LOWNEY ARCHITECTURE
360 17th Street, Suite 100
Oakland, CA 94612
Contact: Winston Win
Email: Winston@lowneyarch.com
Phone: (510) 836-5400

CONSULTING LANDSCAPE ARCHITECT

TS Studio
978 Hayes Street
San Francisco, CA 94117
Contact: J. Lee Stickle
Email: jstickles@tsstudio.org
Phone: (415) 420-8408

CONSULTING CIVIL ENGINEER

BKF ENGINEERS
4670 Willow Road, Suite 250
Pleasanton, CA 94588-3323
Phone: (925) 396-7700

FABRICATOR

MACHINC
2325 3rd Street
San Francisco, CA 94107
Phone: (415) 255-4879

**DRAFT COPY
FOR REVIEW**

**NOT FOR
DISTRIBUTION**

PROJECT NAME

PROPOSED ALBANY PUBLIC ARTWORK SKETCHES
San Pablo Ave. & Monroe St.
Albany, CA 94706

SHEET TITLE

BIRD'S EYE PERSPECTIVE

DRAWING SCALE

As noted on drawings

DATE ISSUED:

02 DEC 2015

008